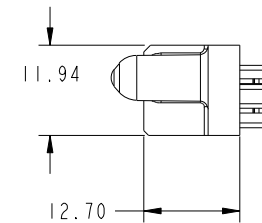
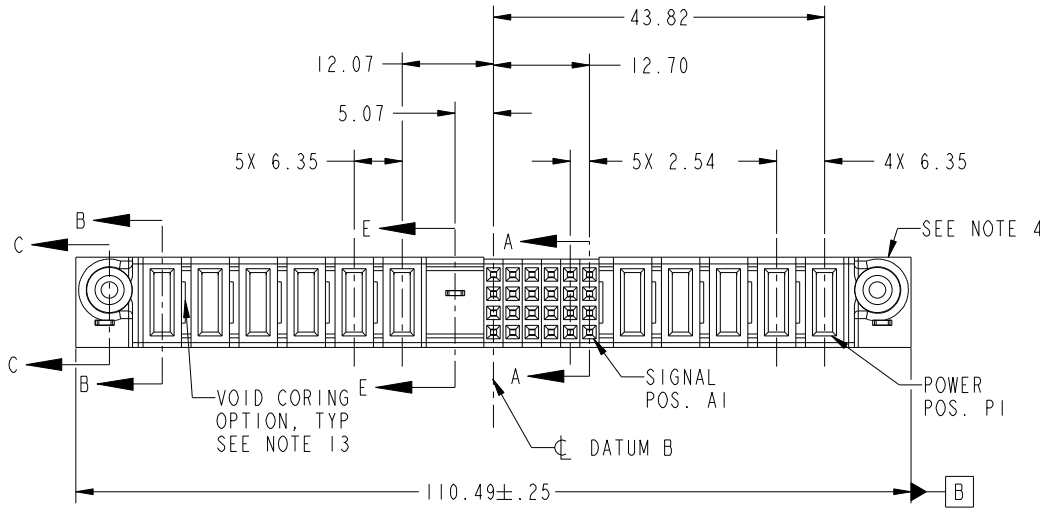


Tous droits strictement réservés. Reproduction ou communication a des tiers interdite sous quelque forme que ce soit sans autorisation écrite du propriétaire. Propriété de c.FCI. Droits de reproduction FCI.

All rights strictly reserved. Reproduction or issue to third parties in any form whatever is not permitted without written authority from the proprietor. Property of FCI. Copyright FCI.



PRODUCT NO.	ROWS	POWER						HOLD	SIGNAL					POWER							
		E2	P11	P10	P9	P8	P7	P6		6	5	4	3	2	1	P5	P4	P3	P2	P1	E1
51940-028-- NOTE: 3	D C B A		PD	PD	PD	PD	PD	PD	HA	E	E	E	E	E	E	PD	PD	PD	PA	PD	



CODE	DIM "M" MATING LENGTH	CONTACT TYPE
E	[N/A]	SIGNAL
PA	[1.07]	POWER
PD	[2.34]	POWER
HA	[N/A]	HOLD-DOWN

mat'l code				SEE NOTE		tolerances unless otherwise specified		CUSTOMER		 www.fciconnect.com		
lir	ecn no.	dr	date	linear	0.X ± 0.5	COPY		projection		title		
A	V03-0005	TAB	01/03/03	0.XXX ± 0.25	MM				5P + 24S + 1M + 6P			
B	DG05-0240	GuoJM	07/27/05	0.XXX ± 0.10	scale		1:1		product family			
C	DG07-0498	JW	09/12/08	angles	0° ± 2°	A		PwrBlade		code		
sheet index		revision sheet	C 1	C 2	C 3	C 4	size		dwg no		sheet	
							A		51940-028		213	
											1 of 4	

1 | 2

3 |

4

A

A

B

B

Pro/E

PDM: Rev: C

STATUS: Released

Printed: Sep 26, 2008

cage code 2856

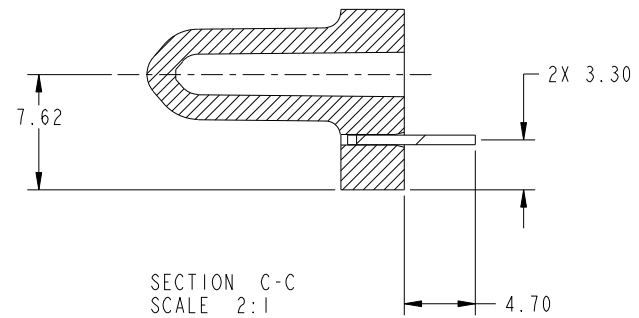
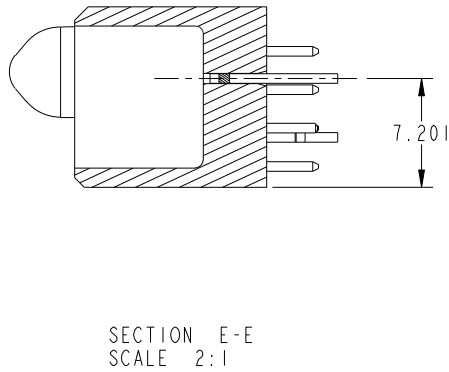
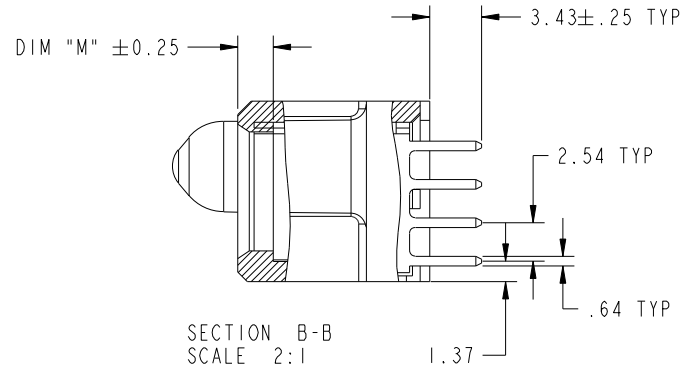
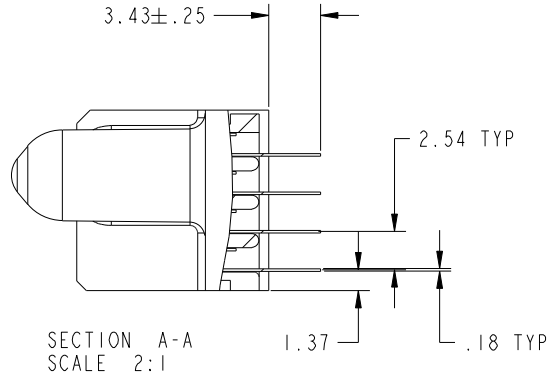
Tous droits strictement reserves. Reproduction ou communication a des tiers interdite sous quelque forme que ce soit sans autorisation ecrite du proprietaire. Propriete de c FCI. Droits de reproduction FCI.

All rights strictly reserved. Reproduction or issue to third parties in any form whatever is not permitted without written authority from the proprietor. Property of FCI. Copyright FCI.



PRODUCT NUMBER

51940-028--  
NOTE: 3



mat'l code		SEE NOTE		tolerances unless otherwise specified		CUSTOMER		 www.fciconnect.com	
lir	ecn no.	dr	date	linear	0.X ± 0.5	COPY		title	
C					0.XX ± 0.25	projection		5P + 24S + 1M + 6P VERTICAL SOLDER RECEPT	
				angles	0.XXX ± 0.10			product family	
				dr	0° ± 2°			PwrBlade	
				engr	T.BRUNGARD 01/03/03			code	
				enr	M.MOSTOLLER 01/03/03			213	
				chr	M.MOSTOLLER 01/03/03			sheet	
				appd	M.MOSTOLLER 01/03/03			2	
sheet index		revision sheet				scale		A	
						1:1		51940-028	

cage code 2856

Pro/E

PDM: Rev: C

STATUS: Released

Printed: Sep 26, 2008

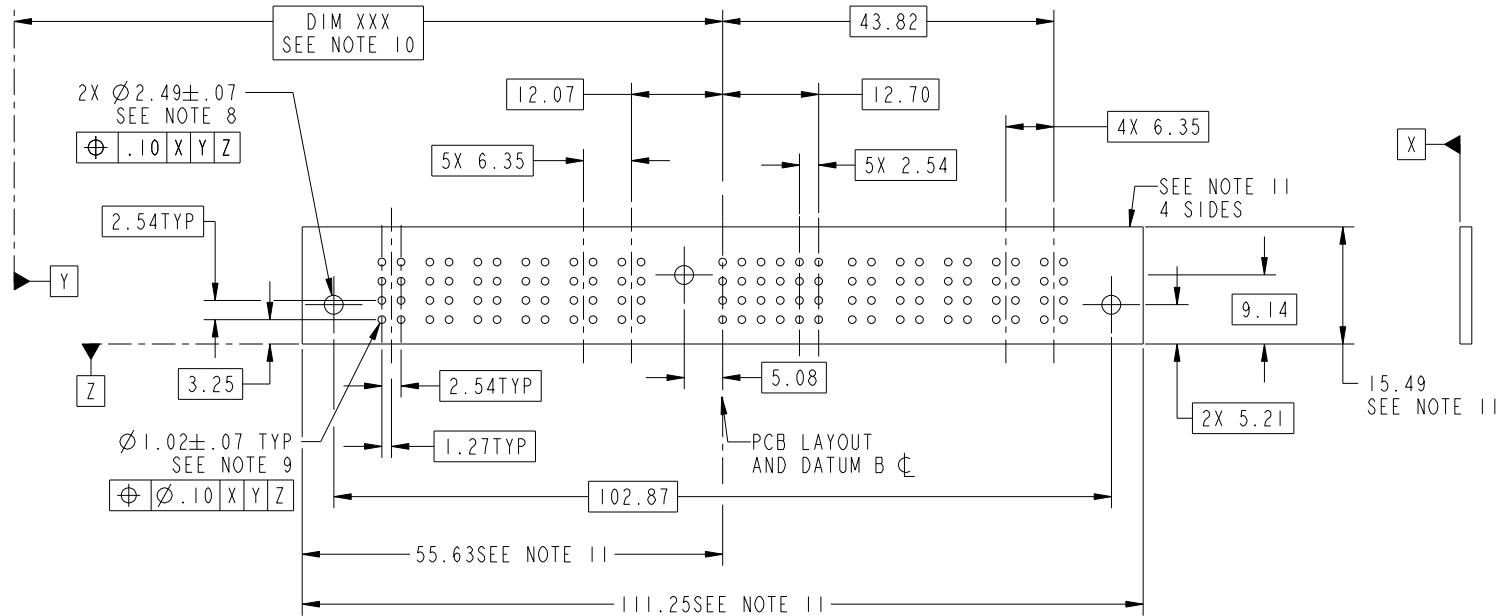
Tous droits strictement réservés. Reproduction ou communication a des tiers interdite sous quelque forme que ce soit sans autorisation écrite du propriétaire. Propriété de c.FCI. Droits de reproduction FCI.

All rights strictly reserved. Reproduction or issue to third parties in any form whatever is not permitted without written authority from the proprietor. Property of FCI. Copyright FCI.



PRODUCT NUMBER

51940-028--  
NOTE: 3



mat'l code		SEE NOTE		tolerances unless otherwise specified		CUSTOMER		 www.fciconnect.com	
lir	ecn no.	dr	date	linear	0.X $\pm 0.5$	COPY		title	
C				linear	0.XX $\pm 0.25$	projection		5P + 24S + 1M + 6P VERTICAL SOLDER RECEPT	
				angles	0.XXX $\pm 0.10$			product family	
				dr	0° $\pm 2^\circ$	MM		PwrBlade	
				enrg	T.BRUNGARD 01/03/03	scale		code	
				chr	M.MOSTOLLER 01/03/03	1:1		213	
				appd	M.MOSTOLLER 01/03/03	A		sheet	
sheet index	revision sheet					51940-028		3	

Tous droits strictement réservés. Reproduction ou communication a des tiers interdite sous quelque forme que ce soit sans autorisation écrite du propriétaire. Propriété de c.FCI. Droits de reproduction FCI.

All rights strictly reserved. Reproduction or issue to third parties in any form whatever is not permitted without written authority from the proprietor. Property of FCI. Copyright FCI.



1 | 2

3

4

PRODUCT NUMBER

51940-028--  
NOTE: 3

NOTES:

1. DIMENSIONS AND TOLERANCES ARE IN ACCORDANCE WITH ASME Y14.5M, 1994 UNLESS OTHERWISE SPECIFIED.

CONNECTOR NOTES:

② HOUSING MATERIAL: UL 94 V-0 GLASS FILLED  
HIGH-TEMP THERMOPLASTIC  
POWER CONTACT MATERIAL: COPPER ALLOY  
SIGNAL PIN MATERIAL: COPPER ALLOY

△ 3. PLATING:  
SEE ITEM 5 & 6 IN PRINT 10064183 FOR PLATING SPEC OF 51940-028; 51940-028LF PRESPECTIVELY

④ MANUFACTURER'S NAME, P/N, AND DATE CODE TO APPEAR ON THIS SURFACE.

5. PRODUCT SPECIFICATION GS-12-149.  
APPLICATION SPECIFICATION BUS-20-067.

6. PACKAGED IN TRAYS.

PCB NOTES:

7. ALL HOLE DIAMETERS ARE FINISHED HOLE SIZE.

⑧ MOUNTING HOLES, WHERE APPLICABLE, ARE UNPLATED.

⑨  $\varnothing 1.151 \pm 0.025$  DRILLED HOLES PLATED WITH)  
0.008 MIN SnPb OR Sn OVER 0.03  
TO 0.08 Cu PLATING TO ACHIEVE  
 $\varnothing 1.02 \pm .07$  HOLE.

⑩ "DIM XXX" TO BE DETERMINED BY THE CUSTOMER.

⑪ CONNECTOR KEEP-OUT ZONE.

12 A △ SYMBOL WILL BE NEXT TO ANY DIMENSION, VIEW, OR NOTE WHICH HAS BEEN MODIFIED WITH THE CURRENT DRAWING REVISION.

13. THE VOID CORING IN BETWEEN POWER MODULES, SIGNAL MODULES AND END MODULES ARE OPTIONAL AND THE SHAPE MAY BE DIFFERENT FOR OPTIMIZING THE MOLDING PROCESS. THE VOID CORING WILL NOT EFFECT TO PRODUCT FUNCTION.

mat'l code				SEE NOTE		tolerances unless otherwise specified		CUSTOMER		www.fciconnect.com	
lfr	ecr no.	dr	date	linear	0.X ± 0.5	COPY		projection		title	
C					0.XX ± 0.25					5P + 24S + 1M + 6P VERTICAL SOLDER RECEPT	
				angles	0.XXX ± 0.10					product family	
				dr	0° ± 2°			MM		PwrBlade	
				enrg	T.BRUNGARD 01/03/03			scale		code	
				chr	M.MOSTOLLER 01/03/03			1:1		213	
				appd	M.MOSTOLLER 01/03/03			A		sheet	
								A		4	
sheet index	revision sheet										

A

A

B

B

1 | 2

Pro/E

PDM: Rev: C

STAT: Released

Printed: Sep 26, 2008

cage code 28556

4